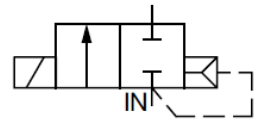


- The diaphragm pulse valves are especially designed for dust collector service applications, combining high flow, long life and extremely fast opening and closing to produce reliable and economical operation. The valves are selectable with integral or remote piloting.
- The high flow, angle type bodies, springless construction, in combination with the special diaphragm assemblies give the unique operating features required for dust collector service applications.
- Built-in silencers guarantee noise free operation and avoid foreign particles entering the valve.
- The integral operators are provided with epoxy moulded F-class coils.
- The valves satisfy all relevant EC directives.
- The valves are not suitable as shut-off devices for standard applications.

Body	Aluminium
Core tube	Stainless steel
Core spring	Stainless steel
Core	Stainless steel
Plugnut	Stainless steel
Shading coil	Copper
Sealant	NBR
Medium	Air, purge gas, raw gas
Medium temperature	-15 °C to 85 °C (purge gas) -20 °C to 140 °C (raw gas)
Ambient temperature	-20 °C to 85 °C
Operating pressure (air)	2 bar to 8.5 bar
Protection IP	IP 65
Electrical connection	Spade plug DIN 46244 (cable $\varnothing$ 6 - 8 mm)
Relative Duty Time	10%, max. on time 1 min.
Coil insulation class	F (155°C)
Electrical safety	IEC 335
Power coil (W)	~ 6.3 = 22
Diaphragms	TPE Thermoplastic Elastomers

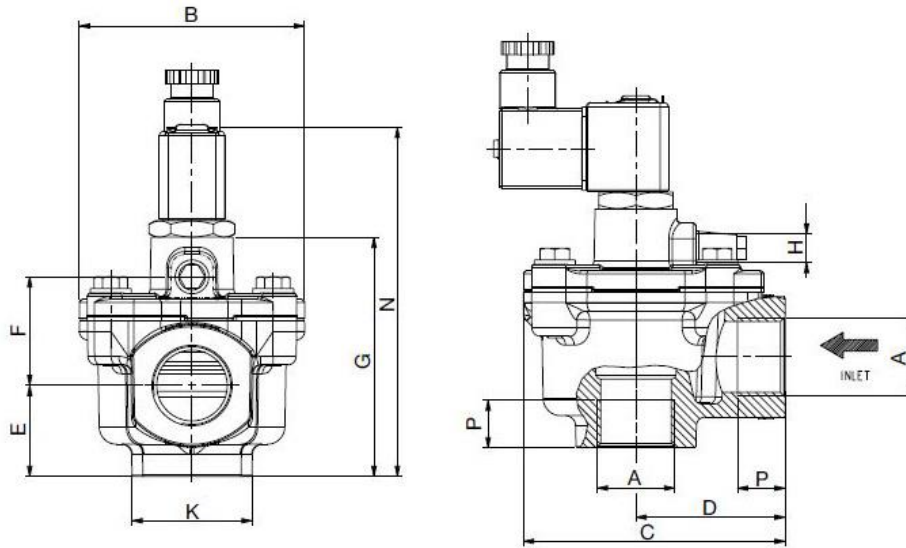


### Diaphragm pulse valve normally closed, 230 V, 50 to 60 Hz, internal pilot control

Art. No.	Type No.	Thread	Vent port	DN	Flow coefficient Kv (m <sup>3</sup> /h)
199900	MV 4211-1	G 3/4	-	32	13
199901	MV 4212-1	G 1	-	32	20
199902	MV 4213-1	G 1 1/2	G 3/8	55	49

### Diaphragm pulse valve normally closed, 24 V DC (direct current), internal pilot control

Art. No.	Type No.	Thread	Vent port	DN	Flow coefficient Kv (m <sup>3</sup> /h)
199903	MV 4211-1 G	G 3/4	-	32	13
199904	MV 4212-1 G	G 1	-	32	20
199905	MV 4213-1 G	G 1 1/2	G 3/8	55	49



**Diaphragm pulse valve normally closed, 230 V, 50 to 60 Hz, internal pilot control**

Art. No.	Type No.	A	B	C	D	E	F	G	H	K	N	P
		mm	mm	mm	mm	mm	mm	mm	mm	mm	mm	mm
199900	MV 4211-1	G 3/4	77.0	90.0	51.0	31.0	37.0	81.5	G 1/8	41.0	119.0	16.0
199901	MV 4212-1	G 1	77.0	90.0	51.0	31.0	37.0	81.5	G 1/8	41.0	119.0	16.0
199902	MV 4213-1	G 1 1/2	135.5	132.0	72.0	39.0	56.5	133.0	G 3/8	59.0	171.0	22.0

**Diaphragm pulse valve normally closed, 24 V DC (direct current), internal pilot control**

Art. No.	Type No.	A	B	C	D	E	F	G	H	K	N	P
		mm	mm	mm	mm	mm	mm	mm	mm	mm	mm	mm
199903	MV 4211-1 G	G 3/4	77.0	90.0	51.0	31.0	37.0	81.5	G 1/8	41.0	119.0	16.0
199904	MV 4212-1 G	G 1	77.0	90.0	51.0	31.0	37.0	81.5	G 1/8	41.0	119.0	16.0
199905	MV 4213-1 G	G 1 1/2	135.5	132.0	72.0	39.0	56.5	133.0	G 3/8	59.0	171.0	22.0

**Spare parts for diaphragm pulse valve**

Art. No.	Type No.	
129766	TSIMV112	Set of spare parts for MV 4213-1, MV 4213-1 G
129767	MIMV112	Diaphragm for MV 4213-1, MV 4213-1 G
205209	TSIM	Set of spare parts for MV 4211-1, MV 4211-1 G, MV 4212-1, MV 4212-1 G
205210	MIMV	Diaphragm for MV 4211-1, MV 4211-1 G, MV 4212-1, MV 4212-1 G

## Installation

- The package consists of solenoid valve, solenoid (pre-assembled) and connector (supplied loose).
- The solenoid valves can be mounted in any position without affecting operation.
- Threaded connection G (ISO 228/1).
- Quick mount connection "Clamp" on request.
- Other threaded connections on request.
- When connecting the piping to the G1/8 connection in the valve cover, the external ASCO pilot valve must be mounted as close as possible to the main impulse valve. Piping lengths of up to 3 metres have only a minor influence on the pulse time.
- Installations with pipe lengths of more than 3 meters must be tested under operating conditions.
- Pipe diameters of 6 mm are recommended for all installations.
- In the quick mount connection version, tightness is achieved by pressing the seal onto the pipe.
- Installation and maintenance instructions are included with each valve.
- Declarations of conformity are available on request.
- Spare parts packs and magnets are available on request.
- The user is responsible for the suitability test for the respective application. It may be necessary to carry out appropriate tests before use in order to convince yourself before using the desired function under the respective condition. All further claims, in particular liability for consequential damage, are fundamentally excluded.